

## UfixII6 Outdoor Waterproof Type Fixed LED Display Unit



Rear Maintenance



High Protection



High precision



Energy Saving



Wide Viewing Angle

### Cabinet Drawing

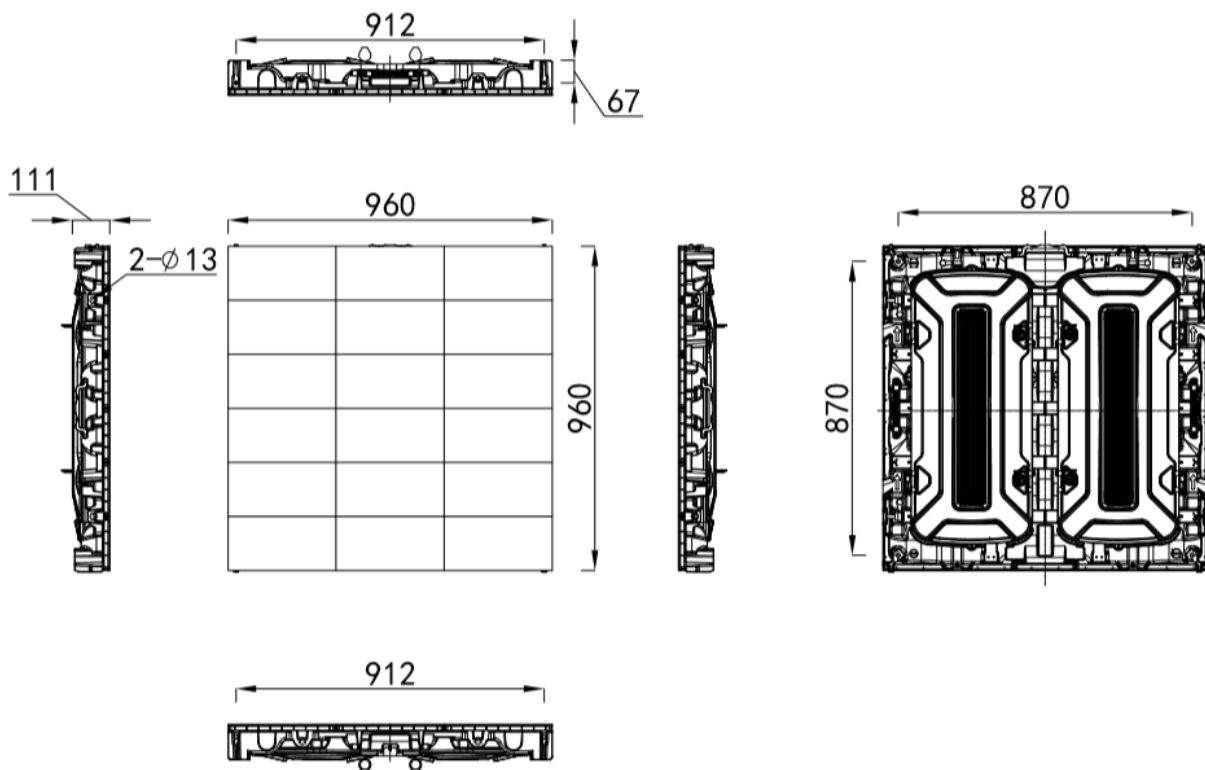


Figure 1 Drawing of Rear Maintenance Cabinet

## Main Technical Specifications

| Parameter                       | Value                              |
|---------------------------------|------------------------------------|
| Pixel Pitch                     | 6.67mm                             |
| LED Type                        | 3-in-1 SMD                         |
| Brightness                      | 5500cd/m <sup>2</sup>              |
| Pixel Density                   | 22500 pixels/m <sup>2</sup>        |
| Pixels Per Panel                | 144x144 Dots                       |
| Module Size                     | W320mmxH160mm                      |
| Panel Size                      | W960mmxH960mmxD111mm               |
| Weight                          | 29kg/m <sup>2</sup>                |
| Maintenance                     | Rear                               |
| Ingress Protection              | IP65(Front)/IP54(Rear)             |
| Aspect Ratio                    | 1:1                                |
| Panel Area                      | 0.9216 m <sup>2</sup>              |
| Planeness                       | ≤0.4mm                             |
| Recommended Viewing Distance    | ≥7m                                |
| Environment                     | Outdoor                            |
| Material                        | Die-casting Magnesium              |
| Calibration                     | Support brightness and chroma      |
| Brightness Control              | Manual/Automatic                   |
| Color Temperature               | 2000-9500K Adjustable              |
| Horizontal Viewing Angle        | 140°                               |
| Vertical Viewing Angle          | 120°                               |
| Contrast Ratio                  | 7000:1                             |
| Input Power <Max>               | 720W/ m <sup>2</sup>               |
| Input Power <Typical>           | 240W/ m <sup>2</sup>               |
| Input Voltage                   | 100~240VAC                         |
| Processing Depth                | 14bit                              |
| Refresh Rate                    | 3840 Hz                            |
| Video Frame Rate                | 50/60 Hz                           |
| Input Power Frequency           | 50~60 Hz                           |
| LED Life Time                   | 100,000 Hours                      |
| Operating Temperature/Humidity  | -20℃~+50℃(Optional - 40℃)/10~90%RH |
| Storage Temperature/Humidity    | -30℃~+60℃(Optional - 40℃)/10~80%RH |
| Standard Mounting Configuration | Fixed                              |

Note: Specifications are for reference only and are subject to change without notice.

Power consumption tolerance: ±15%, according to the actual situation.